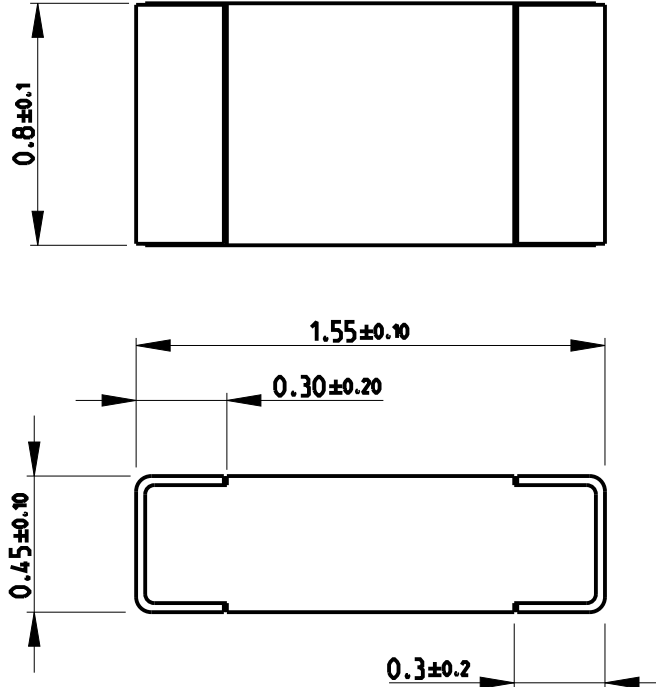
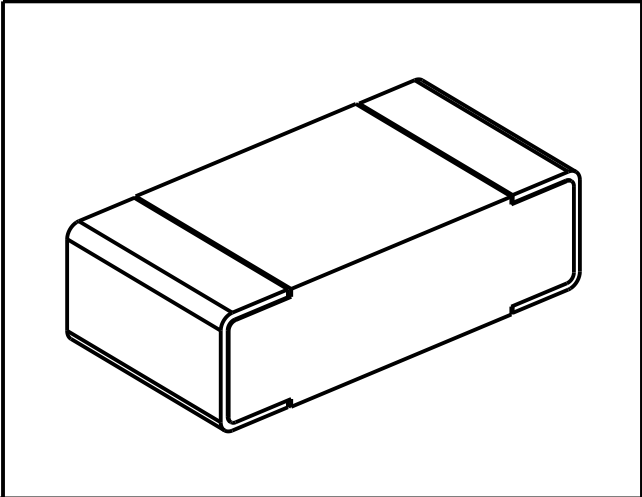


LOC	DIST	REVISIONS					
E	B	P	LTR	DESCRIPTION	DATE	DWN	APVD
		BA2	ECR-14-009193		19JUN2014	KR	TN

FOR FURTHER INFORMATION SEE DATA SHEET FOR CPF SERIES-THIN FILM PRECISION CHIP RESISTORS



RoHS Compliant




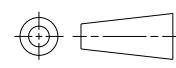
2008

RELEASED FOR PUBLICATION

ALL RIGHTS RESERVED.

© COPYRIGHT 2008

THIS DRAWING IS UNPUBLISHED.

DIMENSIONS: mm		DWN SUBHASH.M 29-Sep-08	MATERIAL	FINISH
TOLERANCES UNLESS OTHERWISE SPECIFIED:		CHK PRAKASH.S 29-Sep-08	 TE Connectivity	
0 PLC ± 0.2		APVD STEPHEN.P 29-Sep-08		
1 PLC ± 0.1		PRODUCT SPEC	NAME THIN FILM PRECISION CHIP RESISTORS	
2 PLC ± -		APPLICATION SPEC	SERIES CPF 0603	
3 PLC ± -		WEIGHT	SIZE	CAGE CODE
4 PLC ± -			A 4	00779
ANGLES ± 5°			DRAWING NO	RESTRICTED TO
			C- 1879338	-
Customer Drawing		SCALE	40:1	SHEET 1 OF 1
				REV BA2